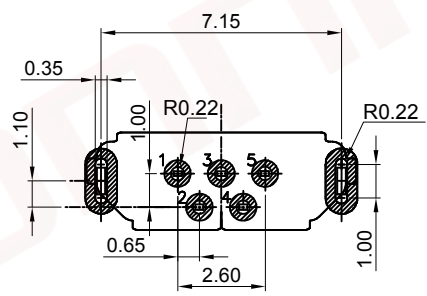
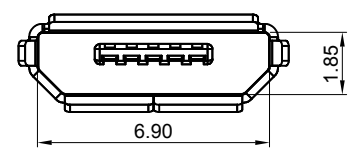
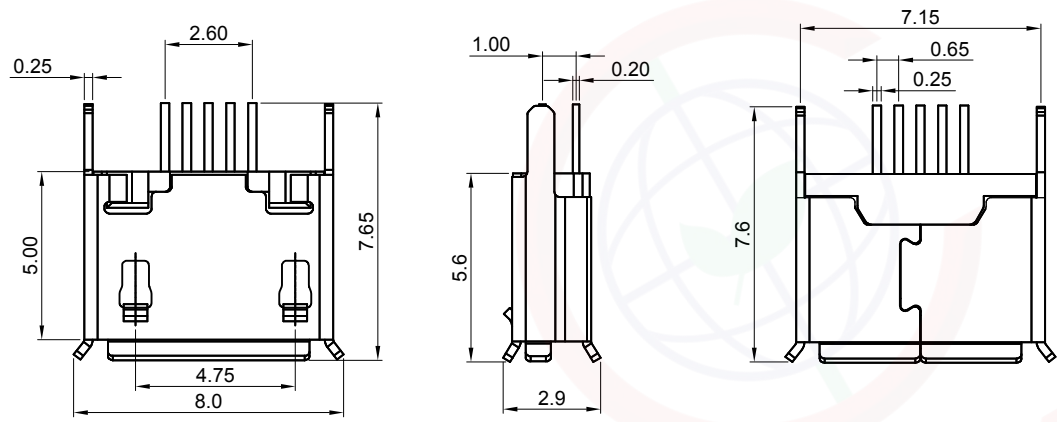


Dept	
Qty	
DC	1
ED	1
IE	1
ISO	1
PD	1
R&D	1
SD	1
QA	1
QC	1
QE	1

REV.	DESCRIPTION	DRAWN	CHECKED	APPROVED
A	NEW RELEASE	JLZ 05/16/17'		
B	DRAWING UPDATE	JLZ 02/17/22'		

The information provided herein is from CONNELY Electronic Co., Ltd. and is confidential. Any disclosure to a party other than the recipient is prohibited. The intellectual properties and its rights contained herein, including but not limited to, trademarks, patents, copyrights, trade secrets, and technical know-how, are owned exclusively by CONNELY or its affiliates. Unauthorized use or reproduction of any part of this document is strictly prohibited. CONNELY may enforce its intellectual property rights at its own discretion, failures or delays to exercise such rights does not constitute a waiver of such rights.



Recommend PCB layout
Tolerance: ±0.05



(Series Image-Reference Only)

NOTES:

- 1.1 Insulator resistance: 100MΩ Min. AT 100V DC.
- 1.2 Current rating: 1.0A.
- 1.3 Dielectric strength: AC 100V for 1 Minute.
- 1.4 HOUSING: Thermoplastic (UL 94-0).
- 1.5 Contact: Copper alloy
- 1.6 Shell: Stainless steel
- 1.7 Product number code:

DS1105-13 - X X X

- Contact plated
- 0: Selective Gold Flash
- Color of housing
- B: Black
- W: White
- Connector type
- S: Socket

GENERAL TOLERANCE		ANGLE TOLERANCE		PROJECTION		TITLE	Micro USB B Type Female
X.	±0.60	X.	±5°	UNITS	mm	5P V/T Type	
.X	±0.38	.X	±3°	SHEET SIZE	A4	SERIES	DS1105-13 SERIES
.XX	±0.25	.XX	±2°	晨翔电子有限公司 CONNFLY ELECTRONIC CO., LTD			
DRAWING TYPE		CUSTOMER					
SCALE	1:1	SHEET	1 OF 1				
DRAWING NO.		C-DS1105-13-XXX-B					