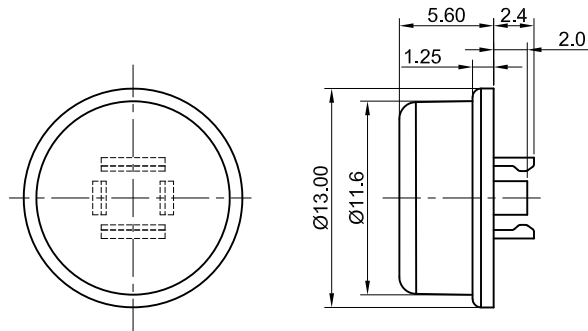


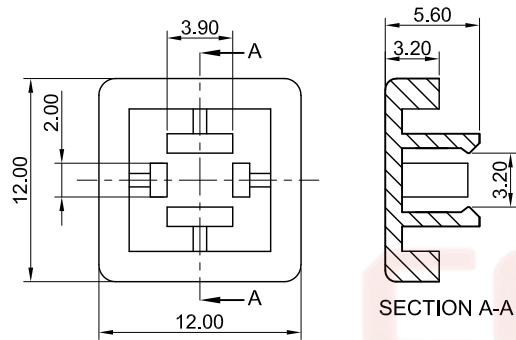
Dept
Qty
DC 1
ED 1
IE 1
ISO 1
PD 1
R&D 1
SD 1
QA 1
QC 1
QE 1

The information provided herein is from CONNELY Electronic Co., Ltd. and is confidential. Any disclosure to a party other than the recipient is prohibited. The intellectual properties and its rights contained herein, including but not limited to, trademarks, patents, copyrights, trade secrets, and technical know-how, are owned exclusively by CONNELY or its affiliates. Unauthorized use or reproduction of this document in any format or manner, CONNELY may enforce its intellectual property rights at its own discretion; failures or delays to exercise such rights does not constitute a waiver of such rights.

Circle



Square



(Series Image-Reference Only)

REV.	DESCRIPTION	DRAWN	CHECKED	APPROVED
A	NEW RELEASE	LJC 08/16/07'		LJC 08/16/07'
B	DRAWING UPDATE	JLZ 10/19/20'		
C	DRAWING UPDATE	JLZ 08/28/25'		

NOTES:

- 1.Material: ABS.
- 2.These Cover for switches are available in square and circle.
- 3.The color are available on request.Standard color is Ivory.
- 4.Part Number Code:
DS1042-02 - X X

Color
R: red
U: blue
W: White
K: black
Y: yellow
N: brown
G: Green
S: Salmon

Cape Shape
C: Circle
F: Square

GENERAL TOLERANCE		ANGLE TOLERANCE		PROJECTION	TITLE
X.	±0.60	X.	±5°		Switch Cover
.X	±0.38	.X	±3°	mm	
.XX	±0.25	.XX	±2°	A4	SERIES DS1042-02 SERIES
DRAWING TYPE		CUSTOMER		晨翔电子有限公司 CONNFLY CONNELY ELECTRONIC CO. LTD	
SCALE		1:1	SHEET 1 OF 1		
DRAWING NO.		C-DS1042-02-XX-C			